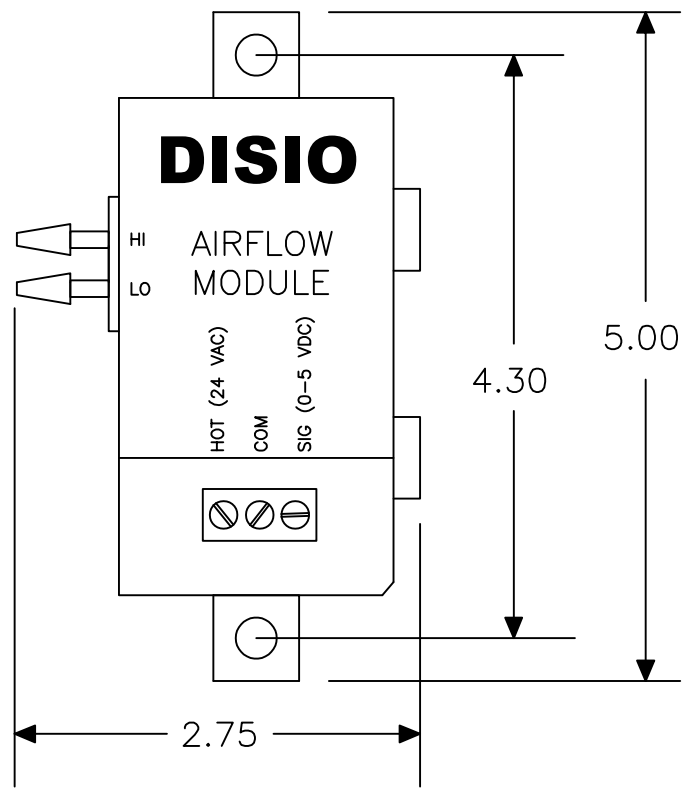


DISIO AIRFLOW MODULE



NOTE:

SENSOR MUST BE POWERED UP AND CONNECTED TO THE CONTROLLER BEFORE THE PRESSURE TUBES GET CONNECTED IN ORDER TO ZERO THE CONTROLLER FOR THE MINIMUM OUTPUT VOLTAGE FROM THE SENSOR THAT EQUATES TO ZERO PRESSURE.

SENSOR SPECIFICATIONS:

POWER REQUIREMENTS:

24VAC ± 10 %, 47–63 Hz, 1VA (TERMINAL BLOCK CONNECTION)

DIFFERENTIAL PRESSURE RANGE:

0 – 2" W.C.

ACCURACY:

+/- 2% OF SPAN MAX (50 DEG F [10 DEG C] TO 104 DEG F [40 DEG C])

OUTPUT:

0–5 VDC ANALOG SIGNAL (0.25 – 4 VDC IS PROPORTIONAL TO A 0 – 2" W.C. DIFFERENTIAL PRESSURE RANGE)



AMBIENT RATINGS:

32 DEG F TO 122 DEG F (0 DEG C TO 50 DEG C), 10–90% Rh (NON-CONDENSING)

WEIGHT

.14 LBS (62G)

ALL METRIC DIMENSIONS () ARE SOFT CONVERTED. IMPERIAL DIMENSIONS ARE CONVERTED TO METRIC AND ROUNDED TO THE NEAREST MILLIMETER.

PROJECT:		
ENGINEER:		
CUSTOMER:		 276515
SUBMITTAL DATE:	SPEC. SYMBOL:	2024/03/06

DISIO DISPLAY
AIRFLOW MODULE